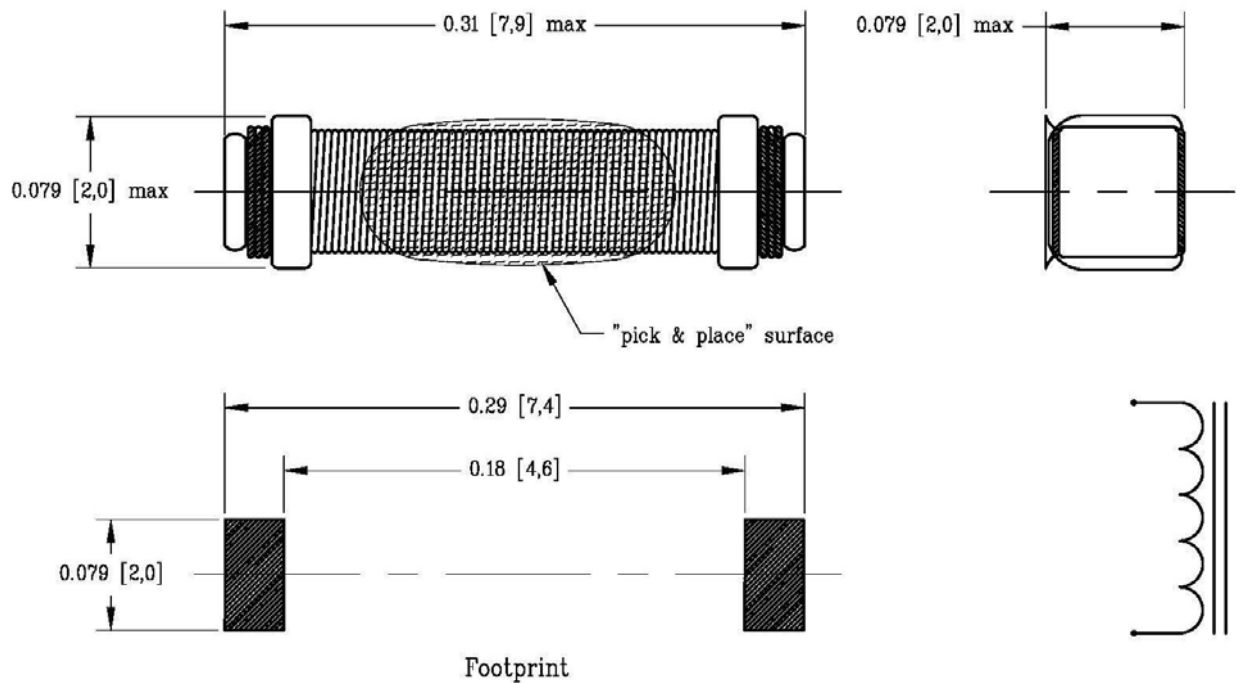


# AS74-XXXX

## SMT Transponder Coil

- Antenna applications, RFID
- One-piece ferrite core construction
- Compact design, low height
- “Pick & place” surface
- Optional hot-melt adhesive for PWB bonding during solder reflow
- Reflow solder rating: 260°C for 10sec
- Operating temperature: -40°C to +125°C
- RoHS compliant per 2002/95/EC
- Packaging: 5000pcs, 16mm blisterpack
- Custom values available



Dash #	“L” ± 10% (mH)	“SRF” min (MHz)	“DCR” max (Ω)
-0063	625 uH	2.45	11
-0200	2.0	1.45	22
-0320	3.2	1.10	36
-1080	10.8	600 KHz	144