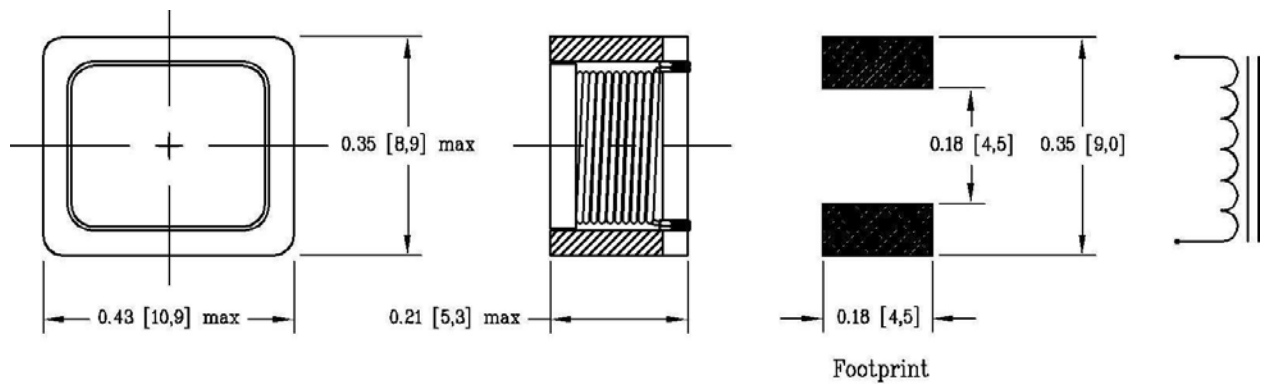


SMS3-XXXX

SMT shielded inductor

- Inductor is magnetically shielded
- Compact design
- Reflow solder rating, 260°C for 10sec
- Inductance range, 10uH – 33mH
- Temperature range, -40°C to 130°C
- Energy storage, 18 uWsec.
- Packaging, 1000pcs, 16mm blisterpack
- RoHS compliant per 2002/95/EC
- Other values available



Dash #	“L” ± 20% (uH)	“Q” min	@ “F” (KHz)	“SRF” min (MHz)	“DCR” max (mΩ)	“I” max (mA)
-0010	10	65	200	25	45	1800
-0015	15	65	200	15	55	1500
-0022	22	65	200	10	65	1250
-0033	33	60	200	8.5	70	1000
-0047	47	60	200	8.0	100	850
-0068	68	50	200	6.5	120	700
-0100	100	40	200	6.0	160	600
-0150	150	40	200	4.0	225	500
-0220	220	40	200	3.6	300	400
-0330	330	60	200	2.9	540	330
-0470	470	60	200	2.4	700	270
-0680	680	60	200	2.0	1.0 Ω	230
-1000	1.0mH	60	200	1.5	1.7 Ω	190
-1500	1.5mH	60	200	1.2	2.2 Ω	150
-2200	2.2mH	65	200	1.0	3.8 Ω	130
-3300	3.3mH	60	200	0.8	5.5 Ω	100
-4700	4.7mH	60	200	0.6	8.5 Ω	90
-6800	6.8mH	50	200	0.5	10.5 Ω	75
-9999	10mH	50	100	0.4	16 Ω	60
-k015	15mH	45	100	0.35	24 Ω	48
-k022	22mH	40	100	0.30	30 Ω	40
-k033	33mH	40	70	0.25	46 Ω	32